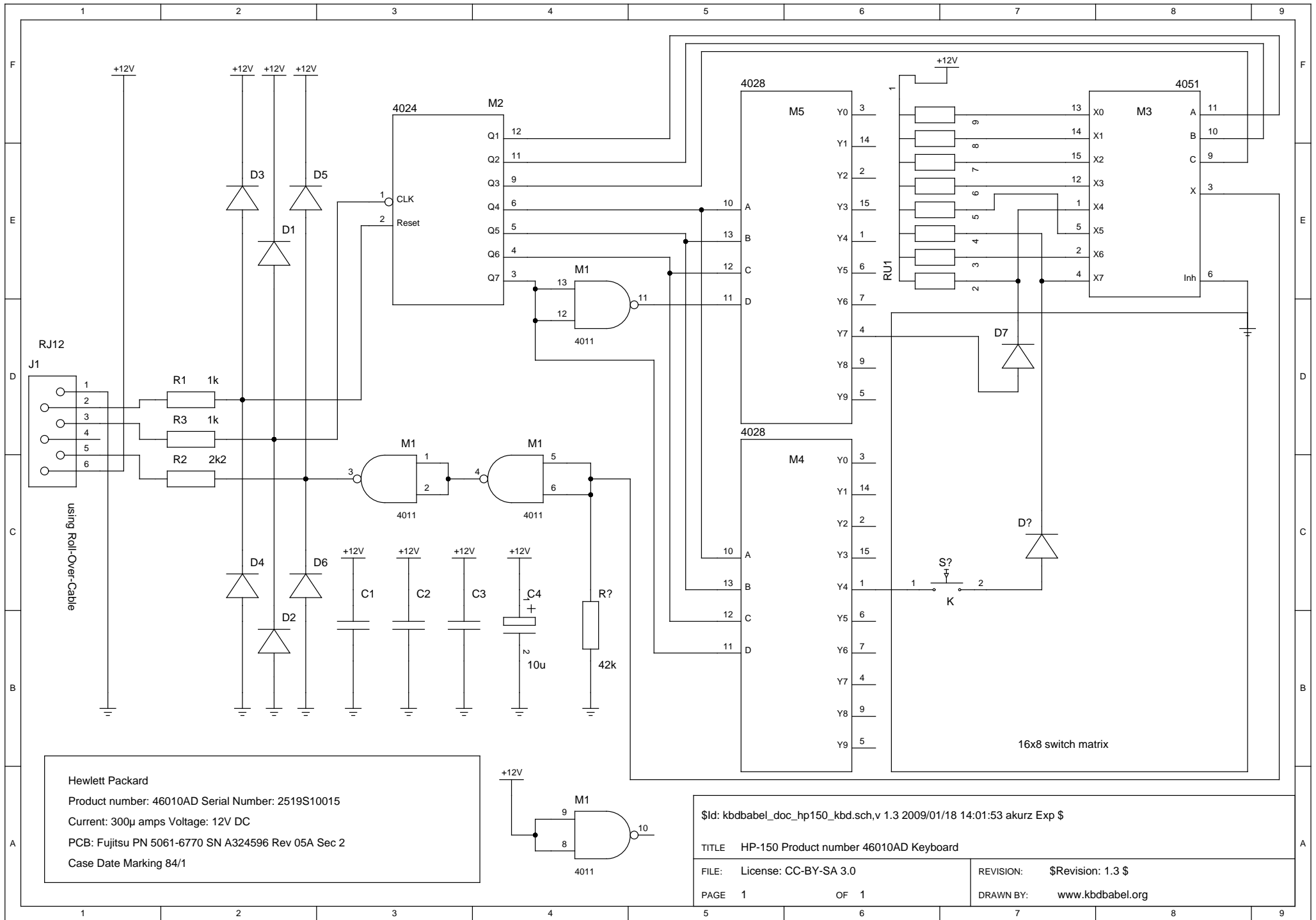


Eprom-Label:  
A013-185 @1984 KTC

- IC-List:
- IC1: SCN8031H
  - IC2: XR22-908-03B
  - IC3: SN74LS373N
  - IC4: ? B8624 UMW/A0498
  - IC5: DM74LS374N
  - IC6: DM74LS132N
  - IC7: DM7416N
  - IC8: DM74LS138N
  - IC9: DM74LS138N

KBU7412  
XVA J 43 00118  
SKB 7412A-001  
Bull S.A. France

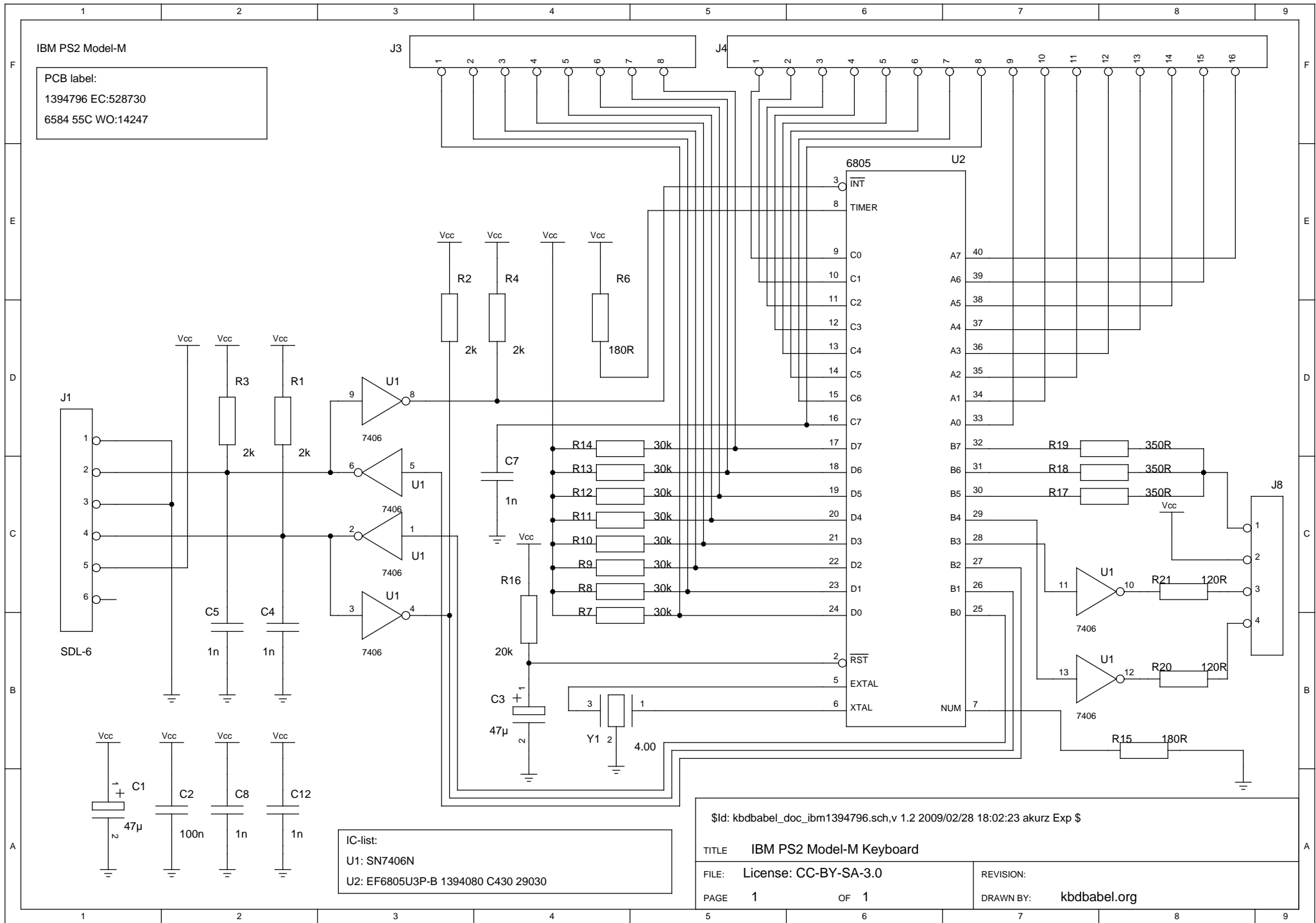


Hewlett Packard  
 Product number: 46010AD Serial Number: 2519S10015  
 Current: 300µ amps Voltage: 12V DC  
 PCB: Fujitsu PN 5061-6770 SN A324596 Rev 05A Sec 2  
 Case Date Marking 84/1

\$Id: kbdbabel\_doc\_hp150\_kbd.sch,v 1.3 2009/01/18 14:01:53 akurz Exp \$  
 TITLE: HP-150 Product number 46010AD Keyboard  
 FILE: License: CC-BY-SA 3.0  
 REVISION: \$Revision: 1.3 \$  
 PAGE 1 OF 1  
 DRAWN BY: www.kbdbabel.org

IBM PS2 Model-M

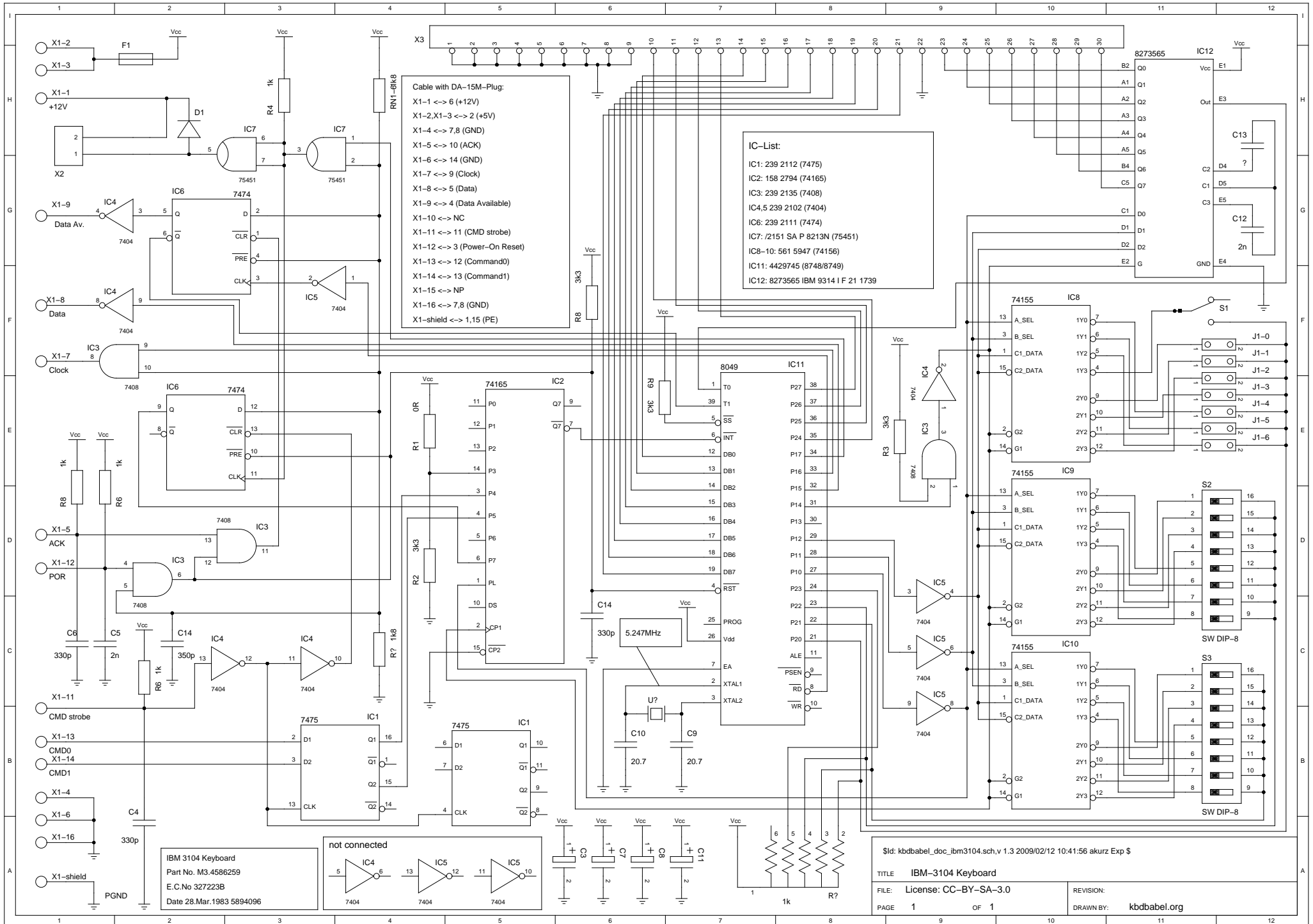
PCB label:  
1394796 EC:528730  
6584 55C WO:14247



IC-list:  
U1: SN7406N  
U2: EF6805U3P-B 1394080 C430 29030

\$!d: kbdbabel\_doc\_ibm1394796.sch,v 1.2 2009/02/28 18:02:23 akurz Exp \$

TITLE IBM PS2 Model-M Keyboard	
FILE: License: CC-BY-SA-3.0	REVISION:
PAGE 1 OF 1	DRAWN BY: kbdbabel.org



Sid: kbdbabel\_doc\_ibm3104.sch.v 1.3 2009/02/12 10:41:56 akurz Exp \$

TITLE IBM-3104 Keyboard

FILE: License: CC-BY-SA-3.0

REVISION:

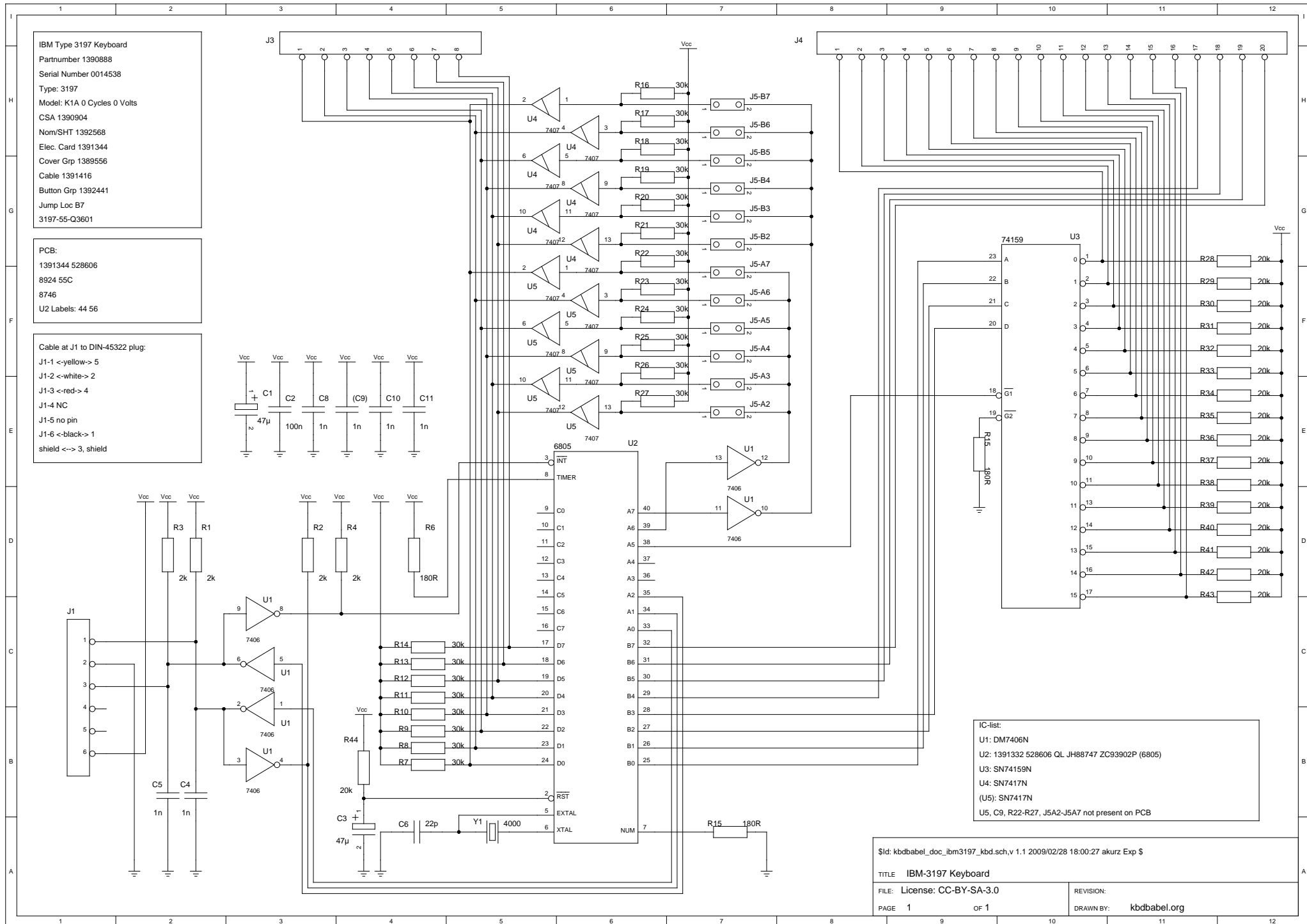
PAGE 1 OF 1

DRAWN BY: kbdbabel.org

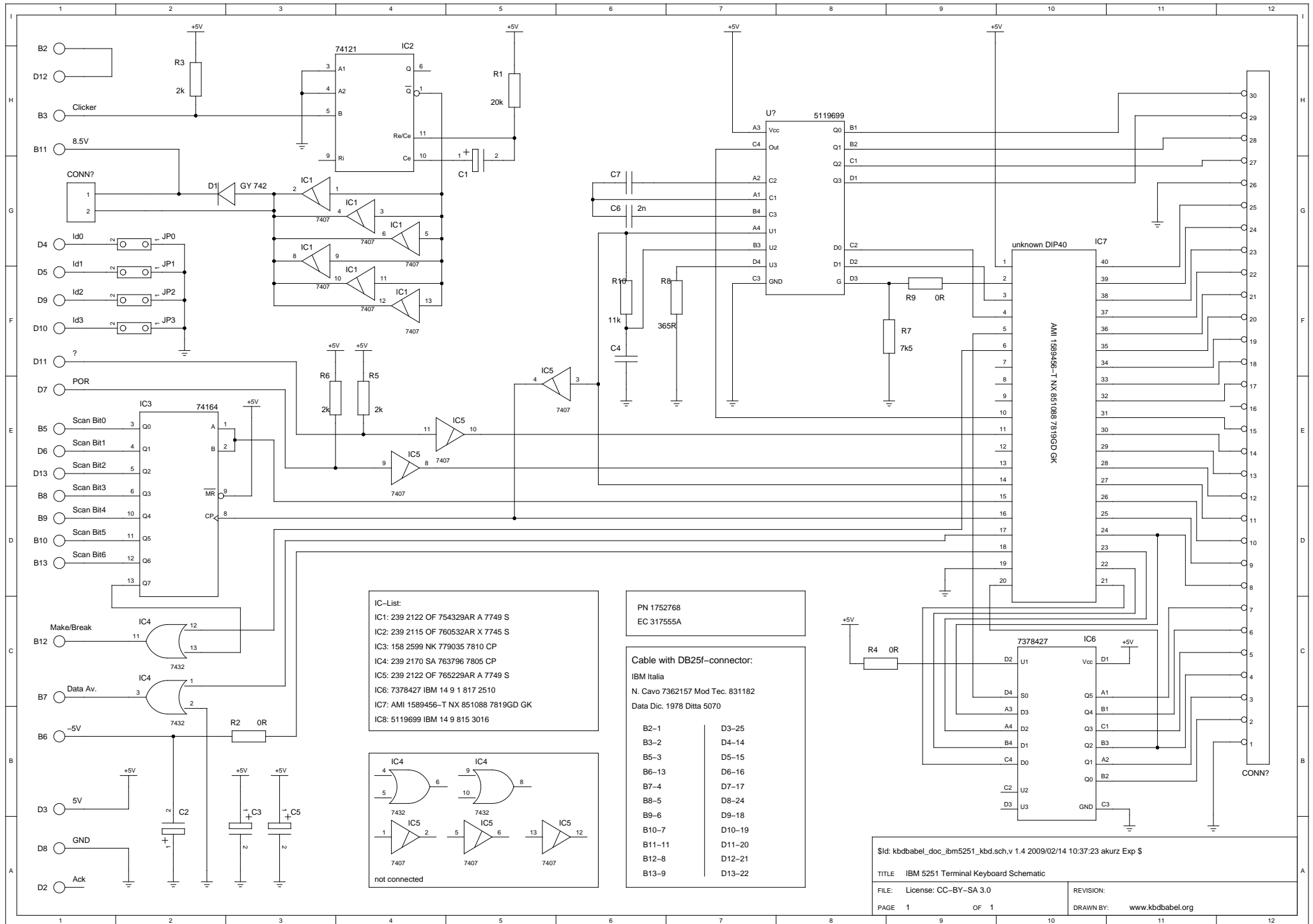
IBM Type 3197 Keyboard  
 Partnumber 1390888  
 Serial Number 0014538  
 Type: 3197  
 Model: K1A 0 Cycles 0 Volts  
 CSA 1390904  
 Nom/SHT 1392568  
 Elec. Card 1391344  
 Cover Grp 1389556  
 Cable 1391416  
 Button Grp 1392441  
 Jump Loc B7  
 3197-55-Q3601

PCB:  
 1391344 528606  
 8924 55C  
 8746  
 U2 Labels: 44 56

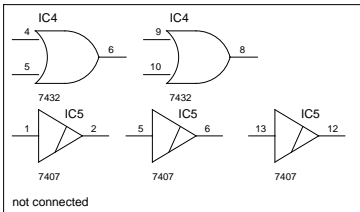
Cable at J1 to DIN-45322 plug:  
 J1-1 <-yellow-> 5  
 J1-2 <-white-> 2  
 J1-3 <-red-> 4  
 J1-4 NC  
 J1-5 no pin  
 J1-6 <-black-> 1  
 shield <-> 3, shield



IC-list:  
 U1: DM7406N  
 U2: 1391332 528606 QL JH88747 ZC93902P (6805)  
 U3: SN74159N  
 U4: SN7417N  
 (U5): SN7417N  
 U5, C9, R22-R27, J5A2-J5A7 not present on PCB



IC-List:  
 IC1: 239 2122 OF 754329AR A 7749 S  
 IC2: 239 2115 OF 760532AR X 7745 S  
 IC3: 158 2599 NK 779035 7810 CP  
 IC4: 239 2170 SA 763796 7805 CP  
 IC5: 239 2122 OF 765229AR A 7749 S  
 IC6: 7378427 IBM 14 9 1 817 2510  
 IC7: AMI 1589456-T NX 851088 7819GD GK  
 IC8: 5119699 IBM 14 9 815 3016



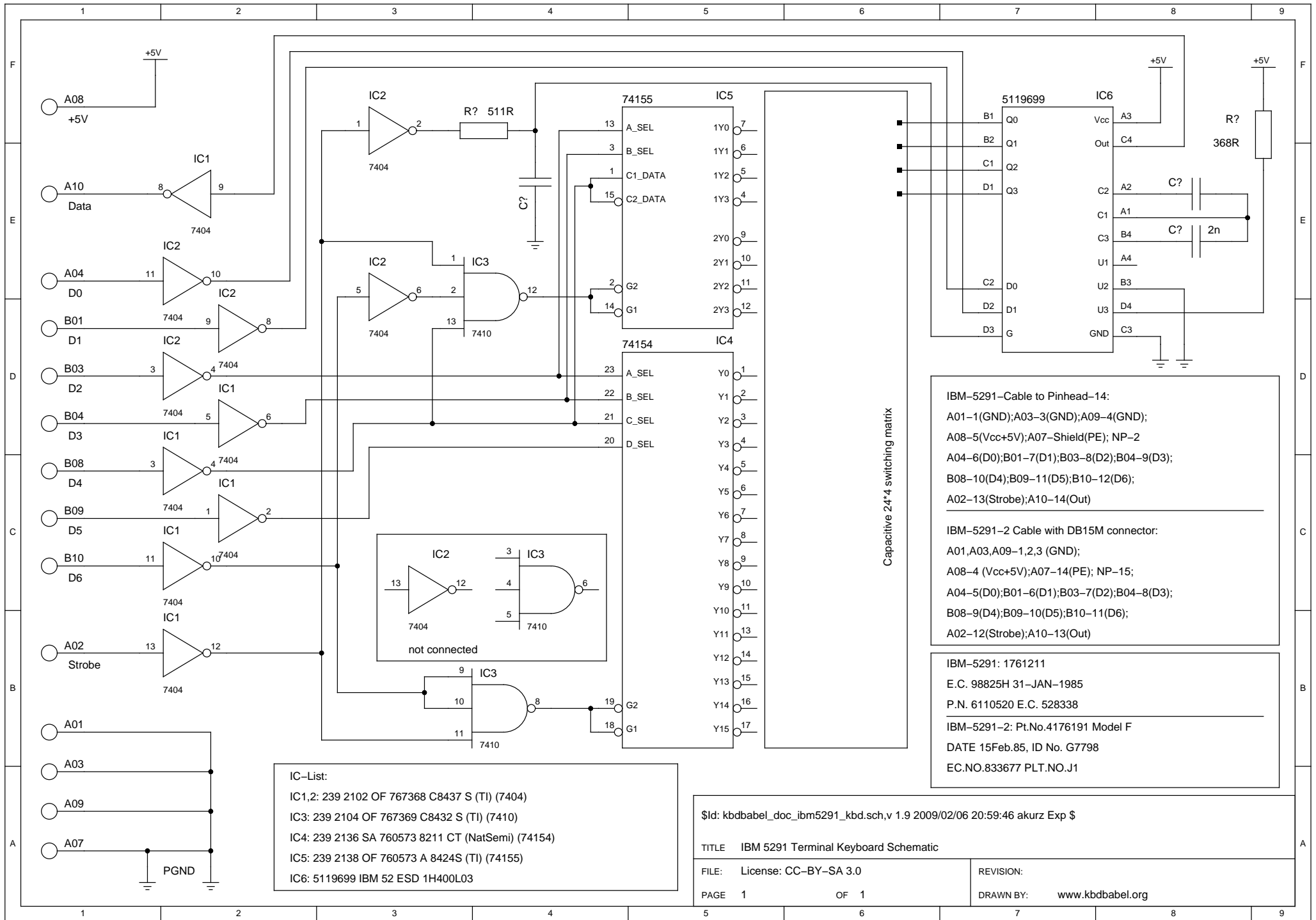
PN 1752768  
 EC 317555A

Cable with DB25f-connector:  
 IBM Italia  
 N. Cavo 7362157 Mod Tec. 831182  
 Data Dic. 1978 Ditta 5070

B2-1	D3-25
B3-2	D4-14
B5-3	D5-15
B6-13	D6-16
B7-4	D7-17
B8-5	D8-24
B9-6	D9-18
B10-7	D10-19
B11-11	D11-20
B12-8	D12-21
B13-9	D13-22

\$Id: kbdbabel\_doc\_ibm5251\_kbd.sch.v 1.4 2009/02/14 10:37:23 akurz Exp \$

TITLE	IBM 5251 Terminal Keyboard Schematic
FILE:	License: CC-BY-SA 3.0
PAGE	1 OF 10
REVISION:	
DRAWN BY:	www.kbdbabel.org

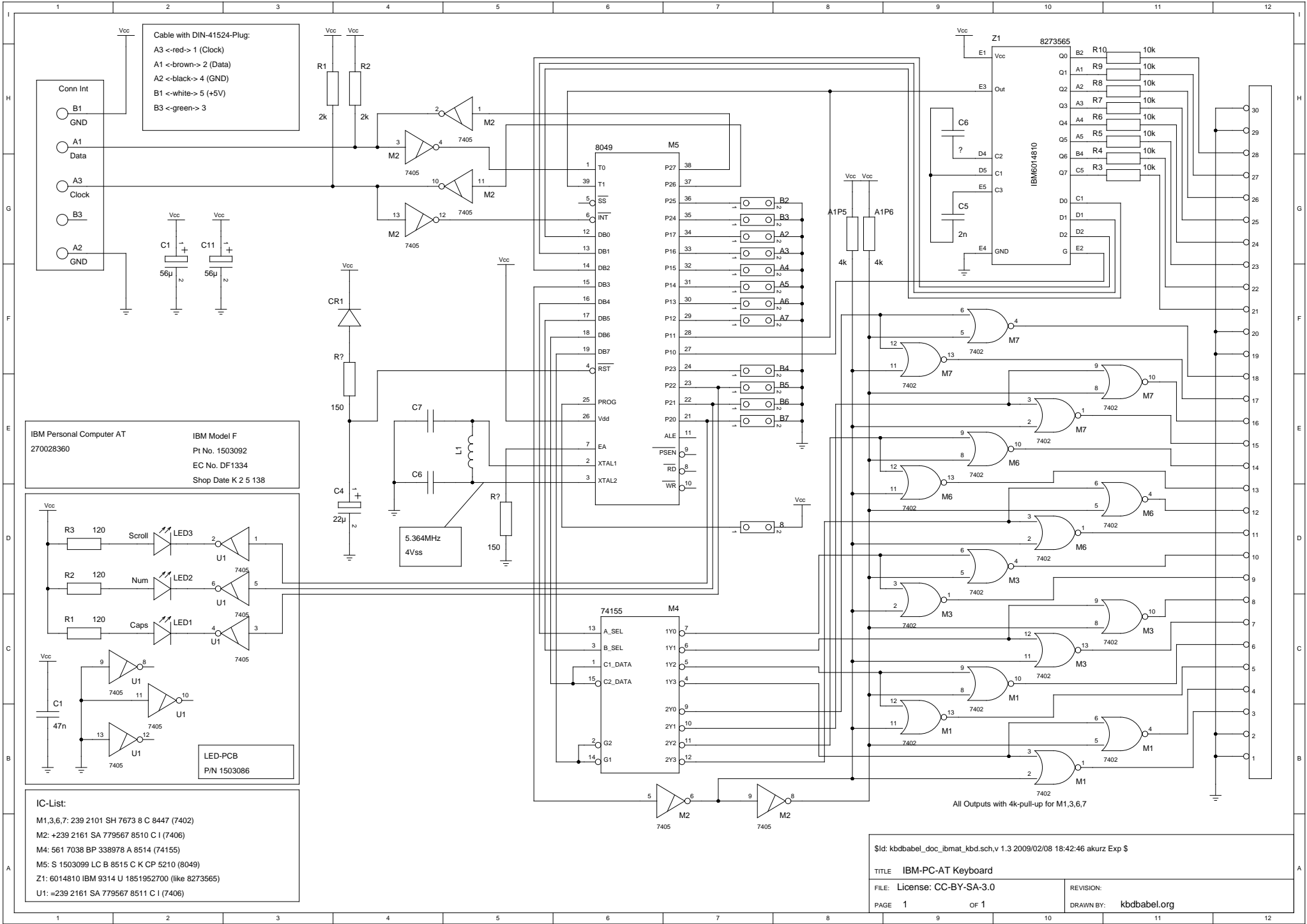


IC-List:  
 IC1,2: 239 2102 OF 767368 C8437 S (TI) (7404)  
 IC3: 239 2104 OF 767369 C8432 S (TI) (7410)  
 IC4: 239 2136 SA 760573 8211 CT (NatSemi) (74154)  
 IC5: 239 2138 OF 760573 A 8424S (TI) (74155)  
 IC6: 5119699 IBM 52 ESD 1H400L03

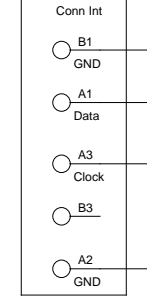
IBM-5291-Cable to Pinhead-14:  
 A01-1(GND);A03-3(GND);A09-4(GND);  
 A08-5(Vcc+5V);A07-Shield(PE); NP-2  
 A04-6(D0);B01-7(D1);B03-8(D2);B04-9(D3);  
 B08-10(D4);B09-11(D5);B10-12(D6);  
 A02-13(Strobe);A10-14(Out)

IBM-5291-2 Cable with DB15M connector:  
 A01,A03,A09-1,2,3 (GND);  
 A08-4 (Vcc+5V);A07-14(PE); NP-15;  
 A04-5(D0);B01-6(D1);B03-7(D2);B04-8(D3);  
 B08-9(D4);B09-10(D5);B10-11(D6);  
 A02-12(Strobe);A10-13(Out)

IBM-5291: 1761211  
 E.C. 98825H 31-JAN-1985  
 P.N. 6110520 E.C. 528338  
 IBM-5291-2: Pt.No.4176191 Model F  
 DATE 15Feb.85, ID No. G7798  
 EC.NO.833677 PLT.NO.J1

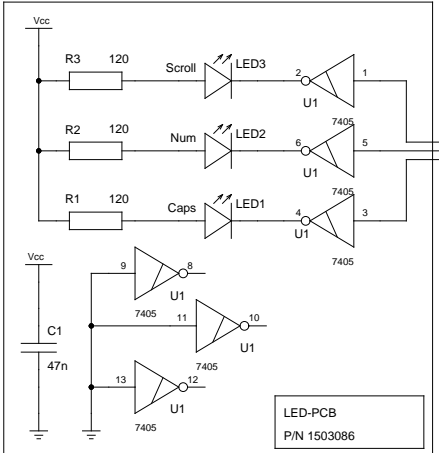


Cable with DIN-41524-Plug:  
 A3 <-red-> 1 (Clock)  
 A1 <-brown-> 2 (Data)  
 A2 <-black-> 4 (GND)  
 B1 <-white-> 5 (+5V)  
 B3 <-green-> 3



IBM Personal Computer AT  
 270028360

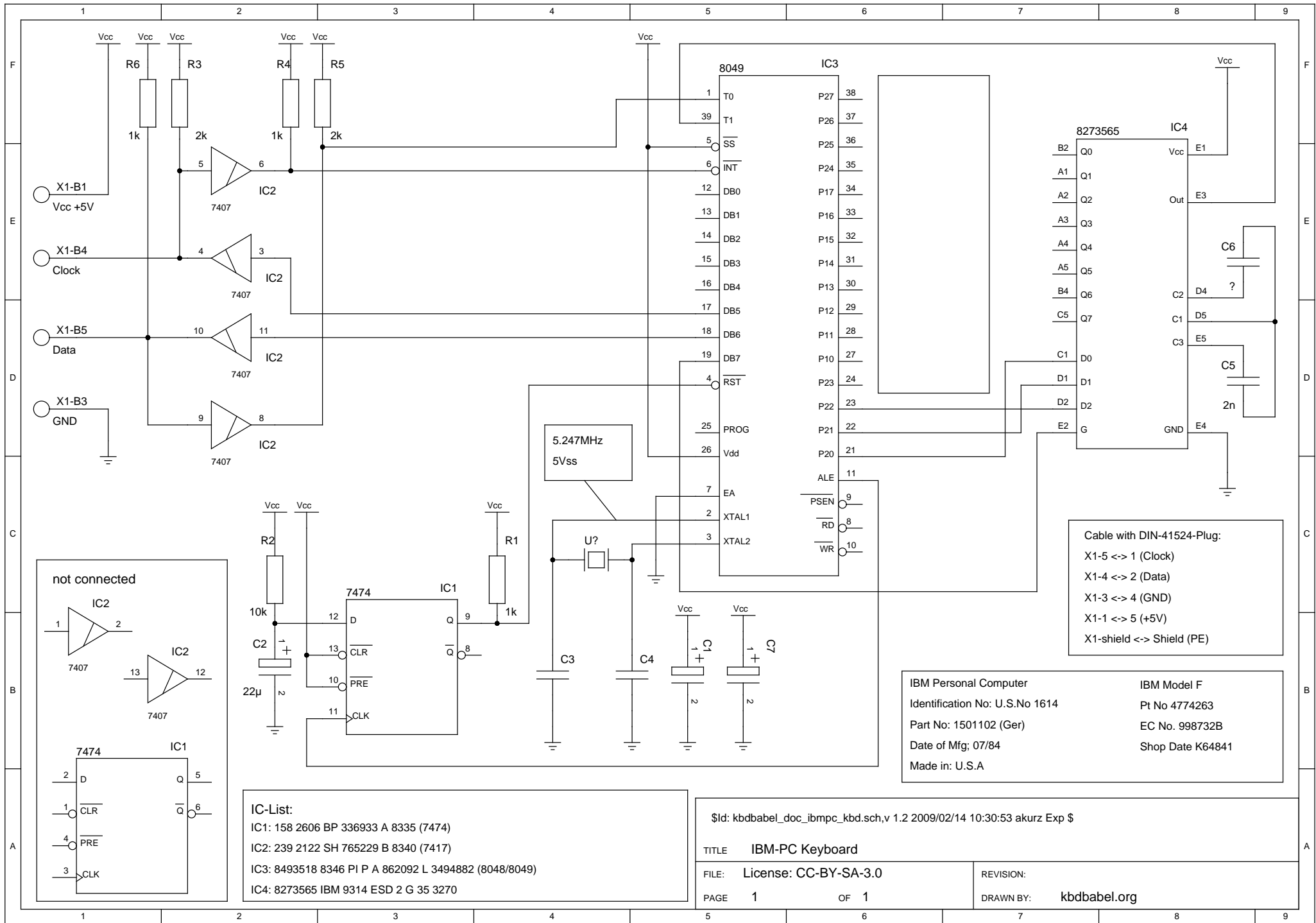
IBM Model F  
 Pt No. 1503092  
 EC No. DF1334  
 Shop Date K 2 5 138



IC-List:

- M1,3,6,7: 239 2101 SH 7673 8 C 8447 (7402)
- M2: +239 2161 SA 779567 8510 C I (7406)
- M4: 561 7038 BP 338978 A 8514 (74155)
- M5: S 1503099 LC B 8515 C K CP 5210 (8049)
- Z1: 6014810 IBM 9314 U 1851952700 (like 8273565)
- U1: =239 2161 SA 779567 8511 C I (7406)





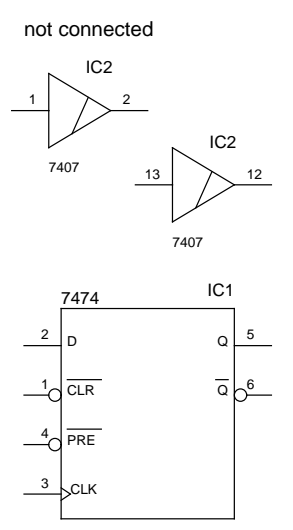
Cable with DIN-41524-Plug:  
 X1-5 <-> 1 (Clock)  
 X1-4 <-> 2 (Data)  
 X1-3 <-> 4 (GND)  
 X1-1 <-> 5 (+5V)  
 X1-shield <-> Shield (PE)

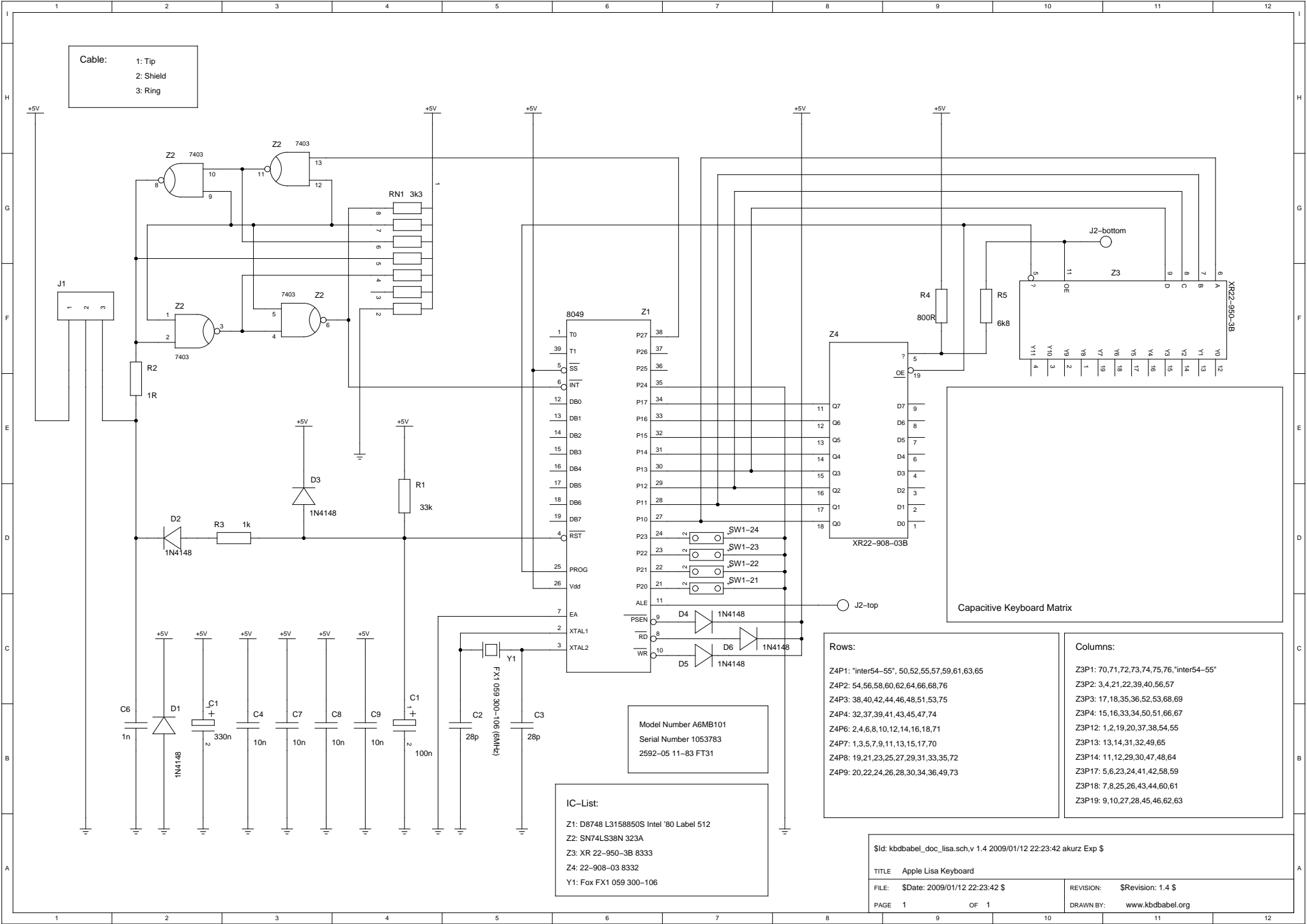
IBM Personal Computer	IBM Model F
Identification No: U.S.No 1614	Pt No 4774263
Part No: 1501102 (Ger)	EC No. 998732B
Date of Mfg: 07/84	Shop Date K64841
Made in: U.S.A	

**IC-List:**  
 IC1: 158 2606 BP 336933 A 8335 (7474)  
 IC2: 239 2122 SH 765229 B 8340 (7417)  
 IC3: 8493518 8346 PI P A 862092 L 3494882 (8048/8049)  
 IC4: 8273565 IBM 9314 ESD 2 G 35 3270

\$Id: kbdbabel\_doc\_ibmpc\_kbd.sch,v 1.2 2009/02/14 10:30:53 akurz Exp \$

TITLE IBM-PC Keyboard	
FILE: License: CC-BY-SA-3.0	REVISION:
PAGE 1 OF 1	DRAWN BY: kbdbabel.org





**Cable:**  
 1: Tip  
 2: Shield  
 3: Ring

Model Number A6MB101  
 Serial Number 1053783  
 2592-05 11-83 FT31

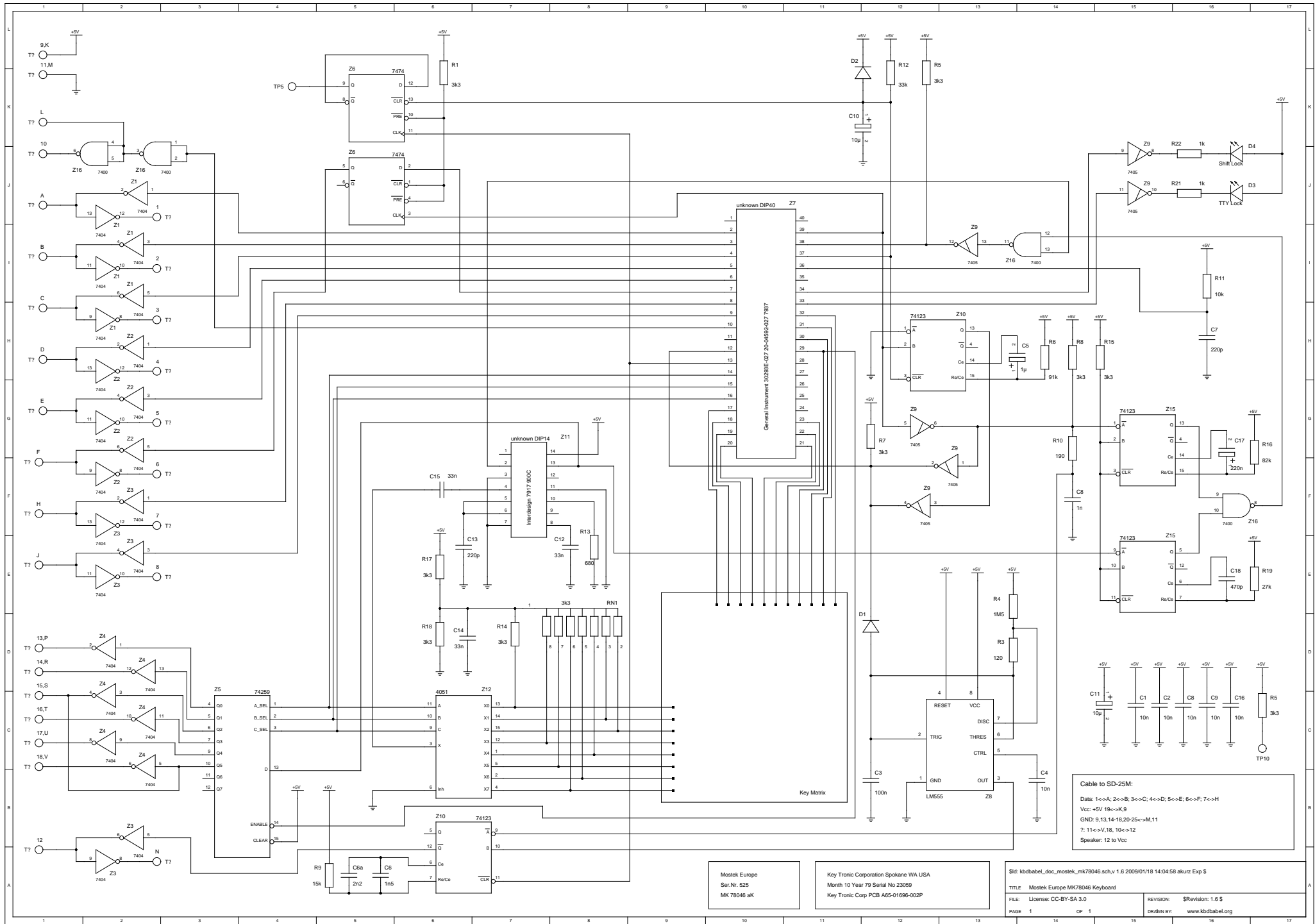
- IC-List:**
- Z1: D8748 L3158850S Intel '80 Label 512
  - Z2: SN74LS38N 323A
  - Z3: XR 22-950-3B 8333
  - Z4: 22-908-03 8332
  - Y1: Fox FX1 059 300-106 (6M+Z)

**Rows:**

Z4P1:	"inter54-55", 50,52,55,57,59,61,63,65
Z4P2:	54,56,58,60,62,64,66,68,76
Z4P3:	38,40,42,44,46,48,51,53,75
Z4P4:	32,37,39,41,43,45,47,74
Z4P6:	2,4,6,8,10,12,14,16,18,71
Z4P7:	1,3,5,7,9,11,13,15,17,70
Z4P8:	19,21,23,25,27,29,31,33,35,72
Z4P9:	20,22,24,26,28,30,34,36,49,73

**Columns:**

Z3P1:	70,71,72,73,74,75,76,"inter54-55"
Z3P2:	3,4,21,22,39,40,56,57
Z3P3:	17,18,35,36,52,53,68,69
Z3P4:	15,16,33,34,50,51,66,67
Z3P12:	1,2,19,20,37,38,54,55
Z3P13:	13,14,31,32,49,65
Z3P14:	11,12,29,30,47,48,64
Z3P17:	5,6,23,24,41,42,58,59
Z3P18:	7,8,25,26,43,44,60,61
Z3P19:	9,10,27,28,45,46,62,63

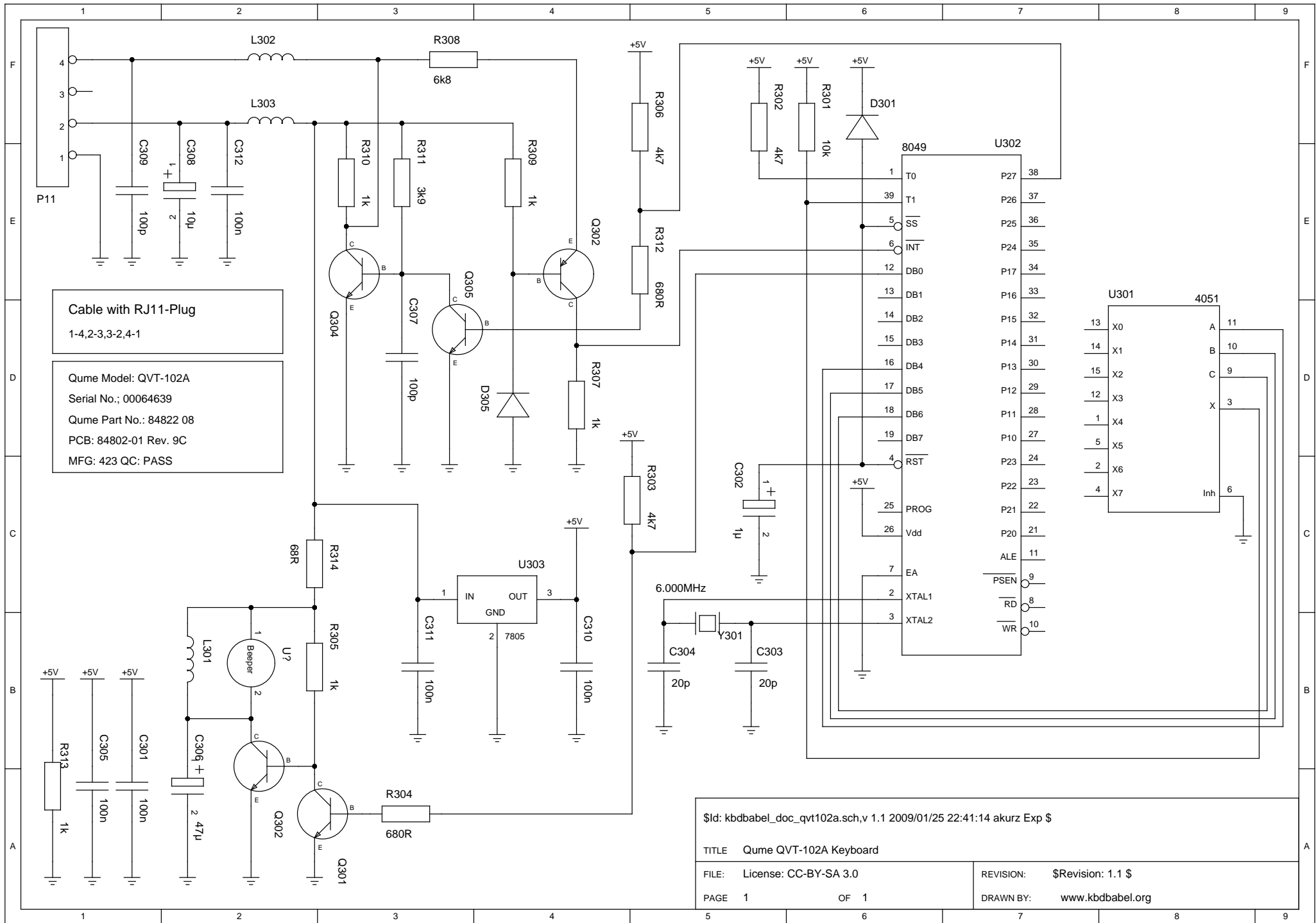


Mostek Europe  
Ser.Nr: 525  
MK 78046 ak

Key Tronic Corporation Spokane WA USA  
Month 10 Year 79 Serial No 23059  
Key Tronic Corp PCB A65-01696-002P

\$Id: kbdbabel\_doc\_mostek\_mk78046.sch,v 1.6 2009/01/18 14:04:58 akurz Exp \$  
TITLE: Mostek Europe MK78046 Keyboard  
FILE: License: CC-BY-SA 3.0  
PAGE 1 OF 1  
REVISION: \$Revision: 1.6 \$  
DRAWN BY: www.kbdbabel.org

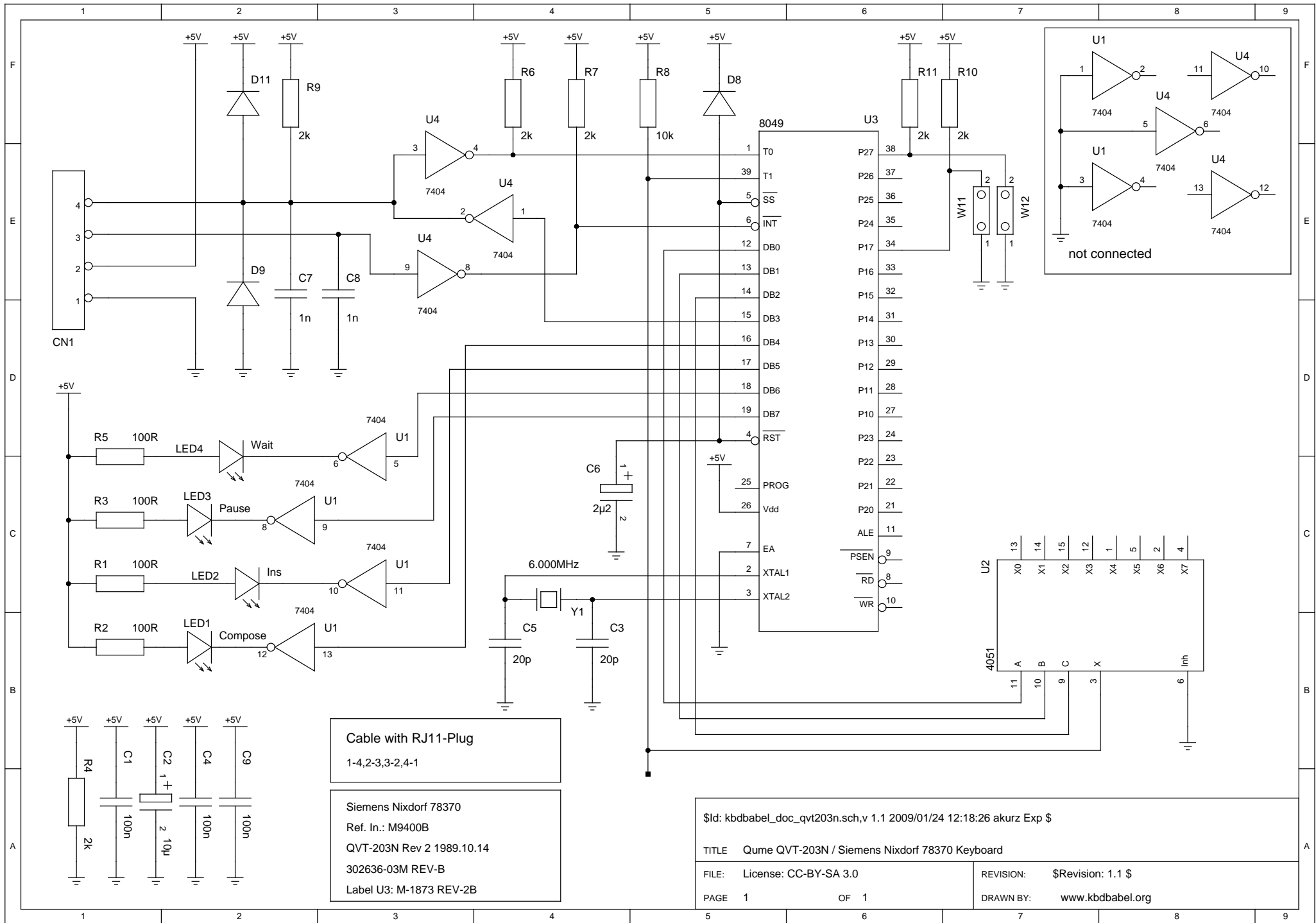
**Cable to SD-25M:**  
Data: 1<->A; 2<->B; 3<->C; 4<->D; 5<->E; 6<->F; 7<->H  
Vcc: +5V 19<->K;9  
GND: 9,13,14-18,20-25<->M,11  
?: 11<->V,18, 10<->12  
Speaker: 12 to Vcc



Cable with RJ11-Plug  
1-4,2-3,3-2,4-1

Qume Model: QVT-102A  
Serial No.: 00064639  
Qume Part No.: 84822 08  
PCB: 84802-01 Rev. 9C  
MFG: 423 QC: PASS

\$Id: kbdbabel_doc_qvt102a.sch,v 1.1 2009/01/25 22:41:14 akurz Exp \$	
TITLE Qume QVT-102A Keyboard	
FILE: License: CC-BY-SA 3.0	REVISION: \$Revision: 1.1 \$
PAGE 1	OF 1
DRAWN BY: www.kbdbabel.org	



Cable with RJ11-Plug  
1-4,2-3,3-2,4-1

Siemens Nixdorf 78370  
Ref. In.: M9400B  
QVT-203N Rev 2 1989.10.14  
302636-03M REV-B  
Label U3: M-1873 REV-2B

\$Id: kbdbabel\_doc\_qvt203n.sch,v 1.1 2009/01/24 12:18:26 akurz Exp \$

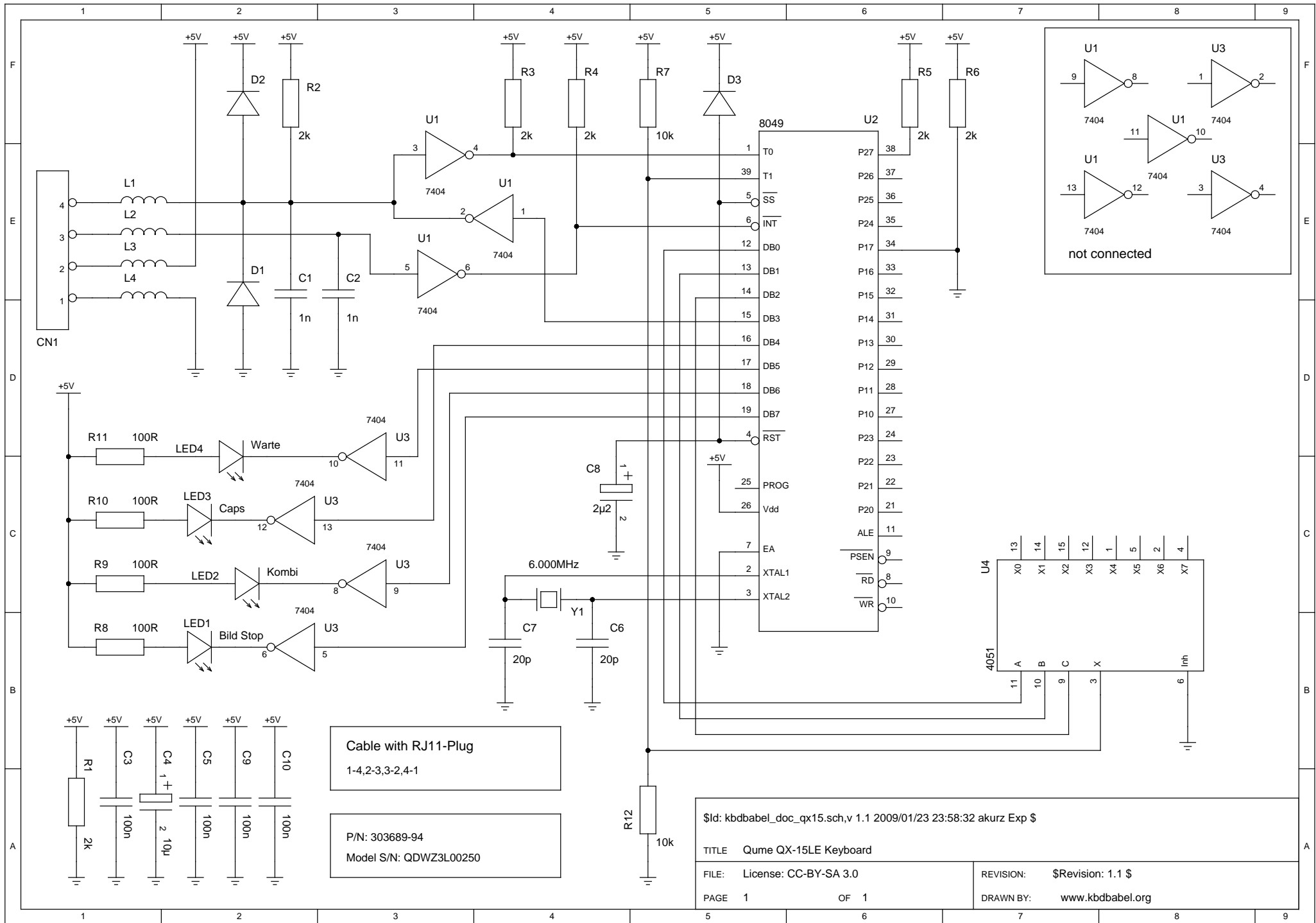
TITLE Qume QVT-203N / Siemens Nixdorf 78370 Keyboard

FILE: License: CC-BY-SA 3.0

REVISION: \$Revision: 1.1 \$

PAGE 1 OF 1

DRAWN BY: www.kbdbabel.org



Cable with RJ11-Plug  
1-4,2-3,3-2,4-1

P/N: 303689-94  
Model S/N: QDWZ3L00250

\$Id: kbdbabel\_doc\_qx15.sch,v 1.1 2009/01/23 23:58:32 akurz Exp \$

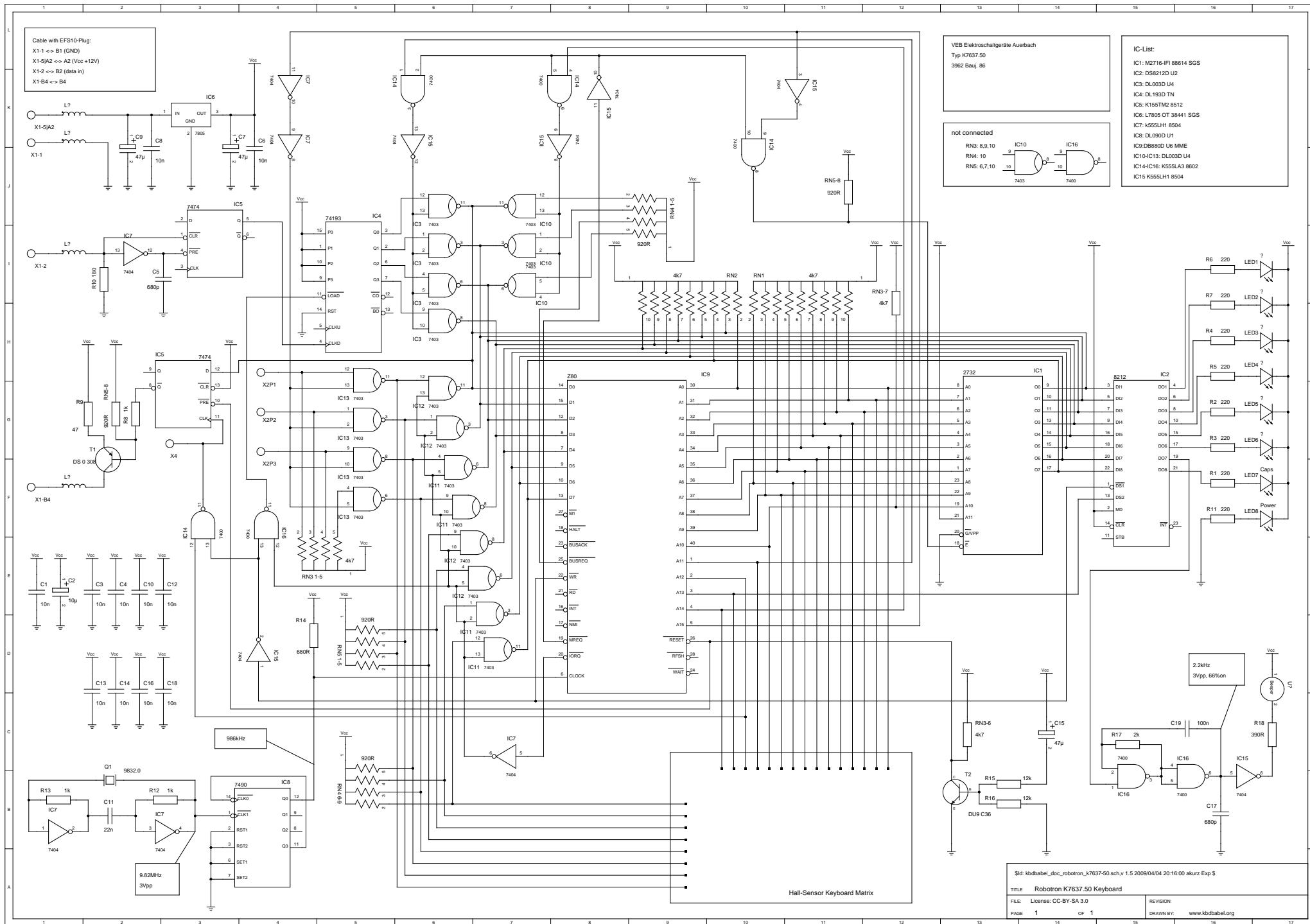
TITLE Qume QX-15LE Keyboard

FILE: License: CC-BY-SA 3.0

REVISION: \$Revision: 1.1 \$

PAGE 1 OF 1

DRAWN BY: www.kbdbabel.org

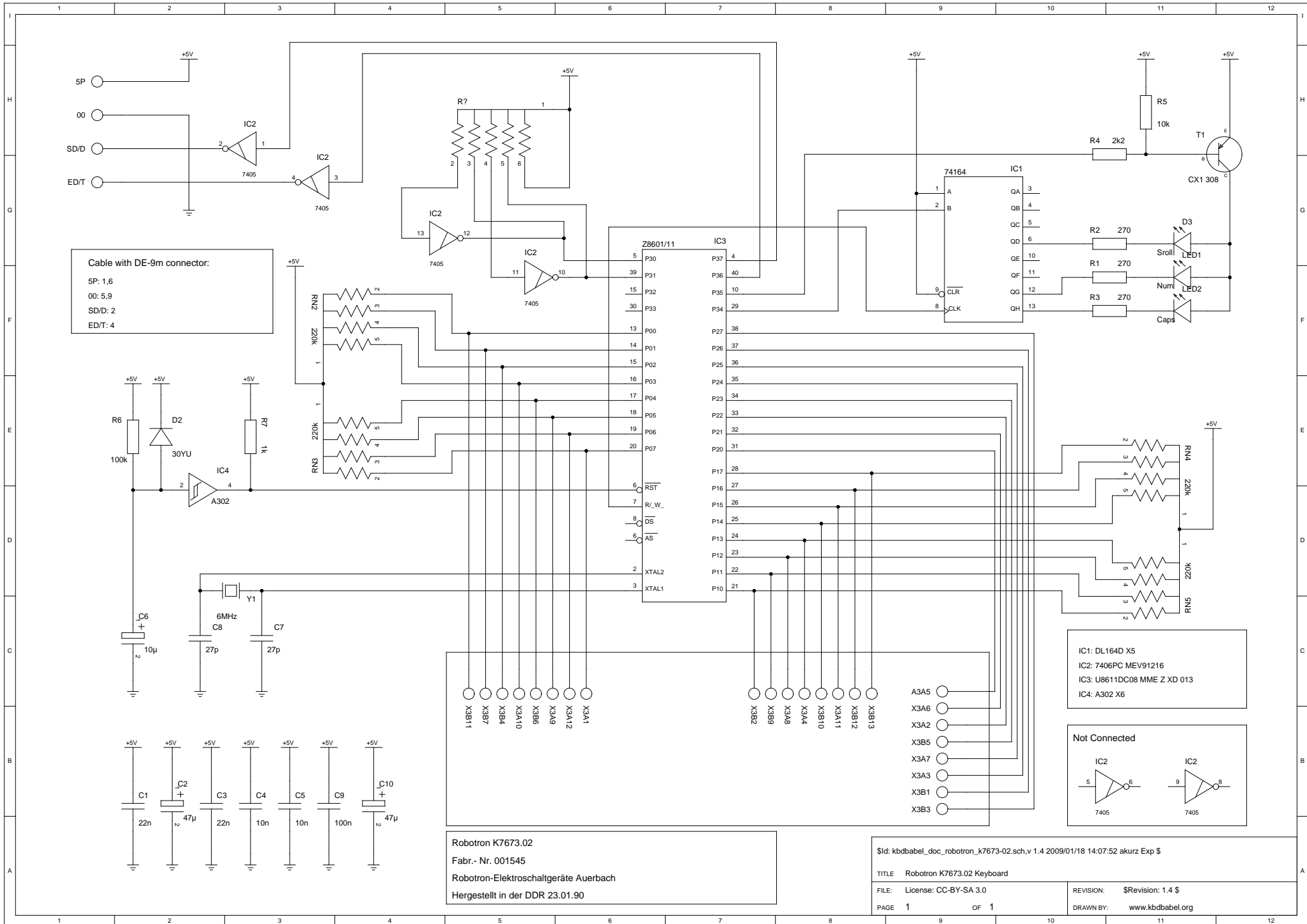


Cable with EFS10-Plug:  
 X1-1 ↔ B1 (GND)  
 X1-5/A2 ↔ A2 (Vcc +12V)  
 X1-2 ↔ B2 (data in)  
 X1-B4 ↔ B4

VEB Elektroshaltgeräte Auerbach  
 Typ K7637.50  
 3962 Bauj. 86

IC-List:  
 IC1: M2716-IF1 88614 SGS  
 IC2: DS8212D U2  
 IC3: DL003D U4  
 IC4: DL193D TN  
 IC5: K155T2 8512  
 IC6: L7805 OT 38441 SGS  
 IC7: K555LH1 8504  
 IC8: DL090D U1  
 IC9: DB880D U6 MME  
 IC10-IC13: DL003D U4  
 IC14-IC16: K555LA3 8602  
 IC15: K555LH1 8504

not connected  
 RN3: 8,9,10  
 RN4: 10  
 RN5: 6,7,10



Cable with DE-9m connector:  
 5P: 1,6  
 00: 5,9  
 SD/D: 2  
 ED/T: 4

IC1: DL164D X5  
 IC2: 7406PC MEV91216  
 IC3: U8611DC08 MME Z XD 013  
 IC4: A302 X6

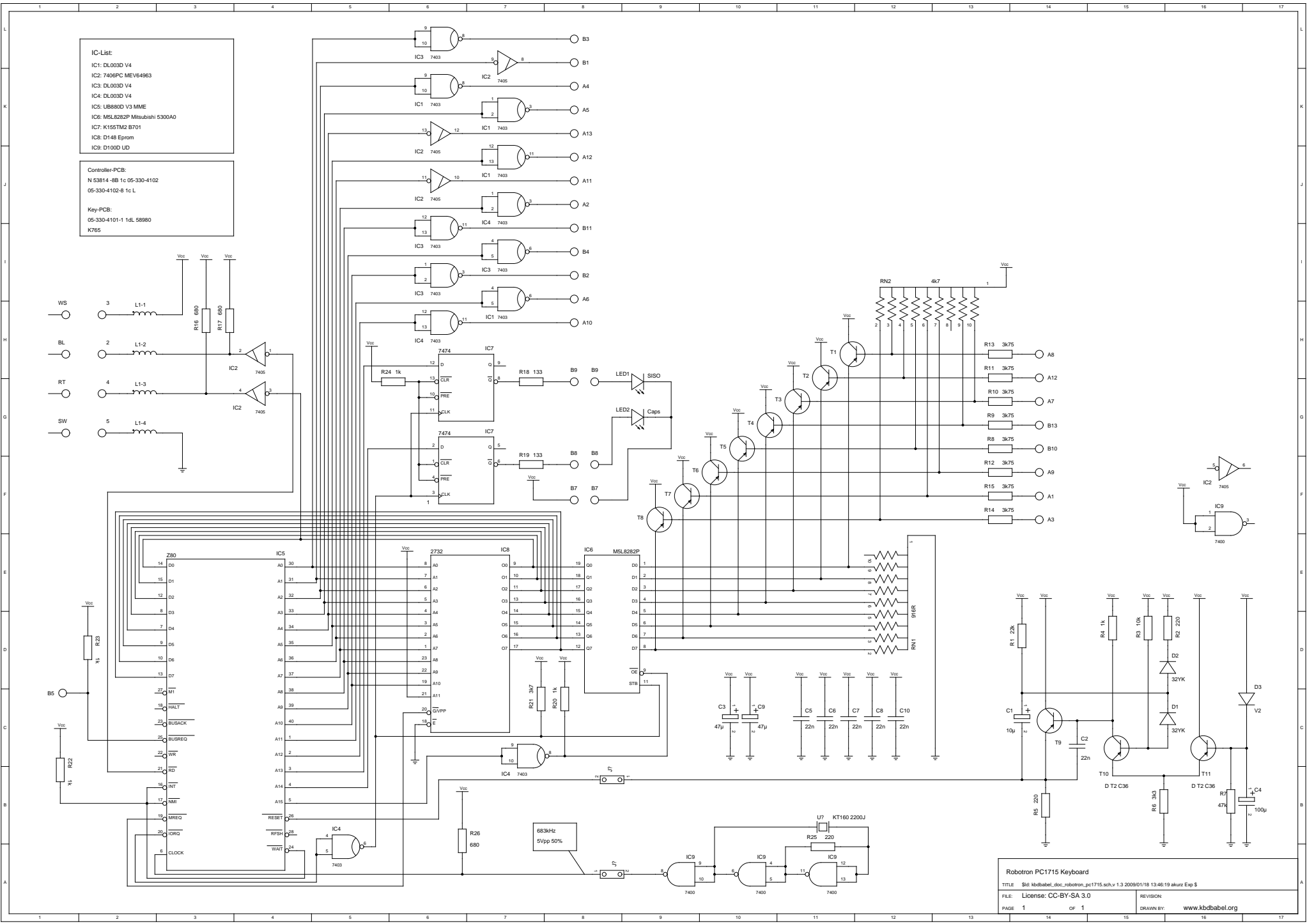
Not Connected

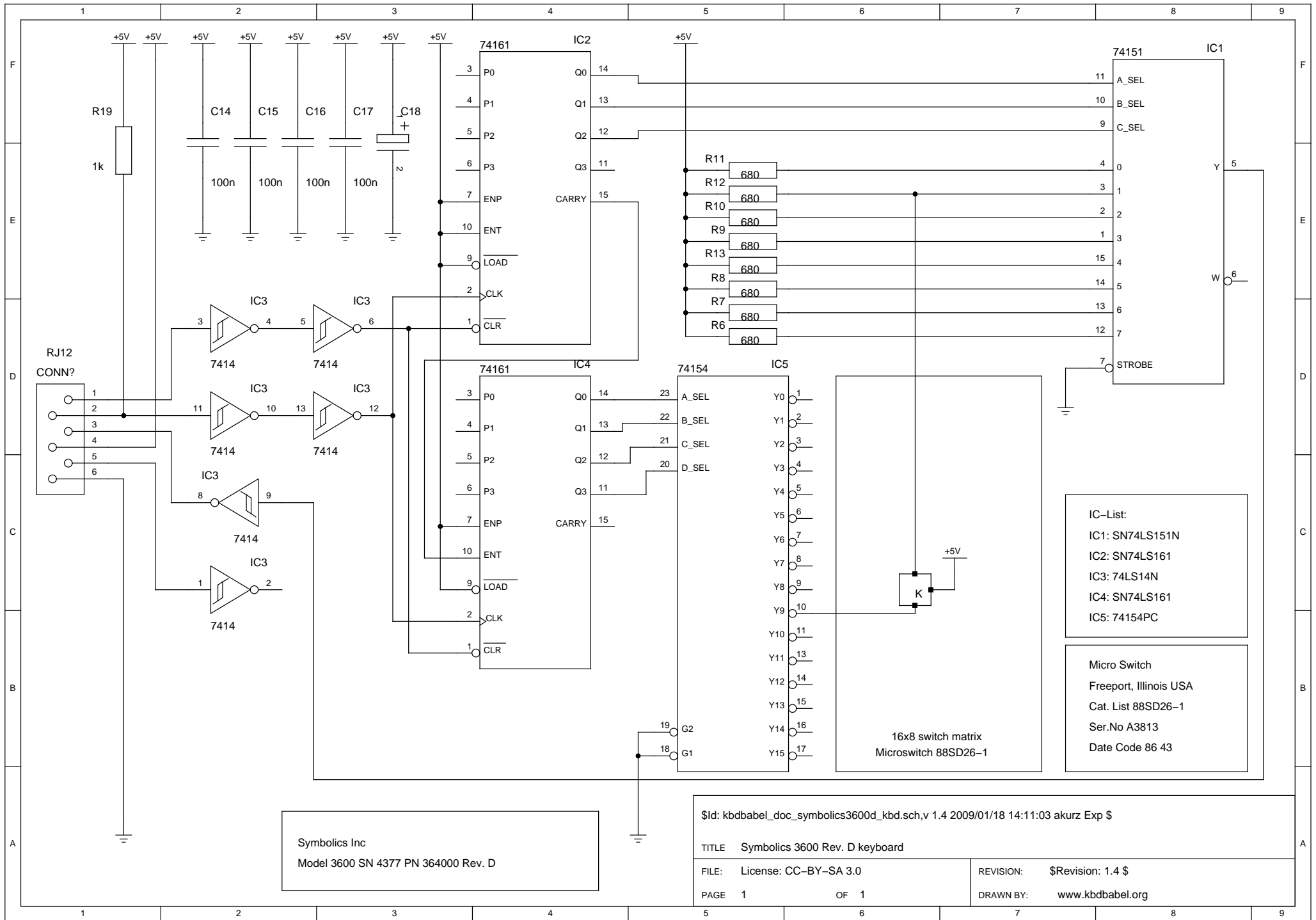
Robotron K7673.02  
 Fabr.- Nr. 001545  
 Robotron-Elektroschaltgeräte Auerbach  
 Hergestellt in der DDR 23.01.90

Titel: Robotron K7673.02 Keyboard  
 Datei: License: CC-BY-SA 3.0  
 Seite: 1 OF 1  
 \$Id: kdbabel\_doc\_robotron\_k7673-02.sch.v 1.4 2009/01/18 14:07:52 akurz Exp \$  
 Revision: \$Revision: 1.4 \$  
 Gezeichnet von: www.kdbabel.org



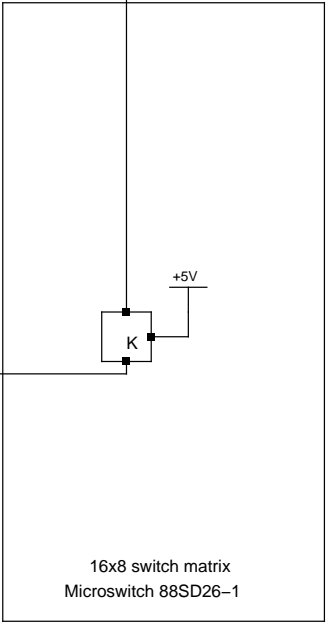
- IC-List:**  
 IC1: DL003D V4  
 IC2: 7406PC MEV64963  
 IC3: DL003D V4  
 IC4: DL003D V4  
 IC5: UB880D V3 MME  
 IC6: MSL8282P Mitsubishi 5300A0  
 IC7: K155TM2 B701  
 IC8: D148 Eprom  
 IC9: D100D UD
- Controller-PCB:**  
 N 53814-8B 1c 05-330-4102  
 05-330-4102-8 1c L
- Key-PCB:**  
 05-330-4101-1 1dL 58980  
 K765





IC-List:  
 IC1: SN74LS151N  
 IC2: SN74LS161  
 IC3: 74LS14N  
 IC4: SN74LS161  
 IC5: 74154PC

Micro Switch  
 Freeport, Illinois USA  
 Cat. List 88SD26-1  
 Ser.No A3813  
 Date Code 86 43



Symbolics Inc  
 Model 3600 SN 4377 PN 364000 Rev. D

\$Id: kbdbabel_doc_symbolics3600d_kbd.sch,v 1.4 2009/01/18 14:11:03 akurz Exp \$	
TITLE Symbolics 3600 Rev. D keyboard	
FILE: License: CC-BY-SA 3.0	REVISION: \$Revision: 1.4 \$
PAGE 1 OF 1	DRAWN BY: www.kbdbabel.org